

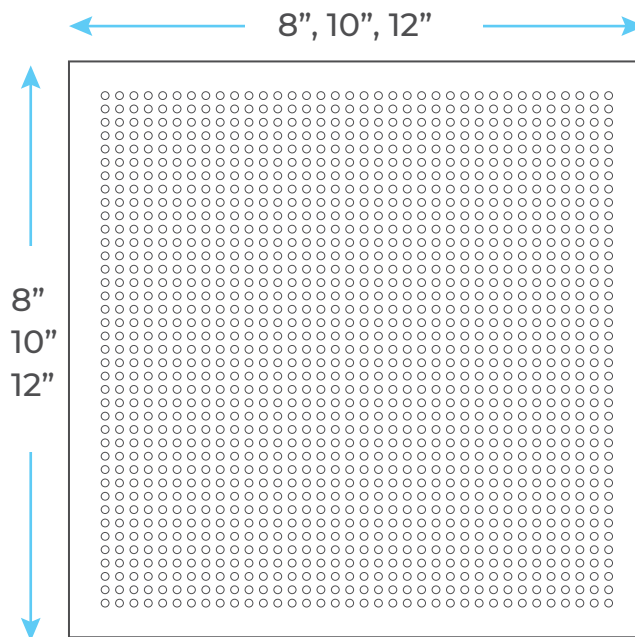
FONTANA LIMA BRUSHED NICKEL RAINFALL SHOWER SYSTEM SETSPECS



Specifications

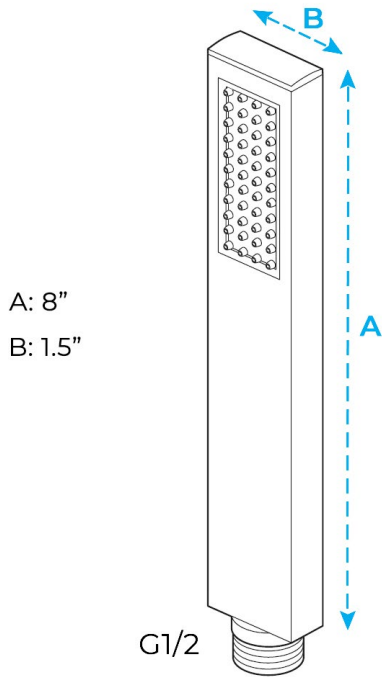
- Finish: Brushed Nickel
- Material: Solid Brass
- Shower Set Inclusion: Showerhead with Hand Shower, 2 by 2 Swivel Body Jets
- Shower Head Diameter: See options
- Diverter trim: 5-3/4" L x 11" H.
- Hand-held shower: 8" L with a 5' hose.
- Swivel body sprays overall: 2-1/4" diameter x 2-1/2" W (front to back)
- Male Thread Inlet Connection: 1/2" NPT
- Water connection: 1/2" IPS
- Three-way diverter: 1/2" IPS

Shower Head Size:



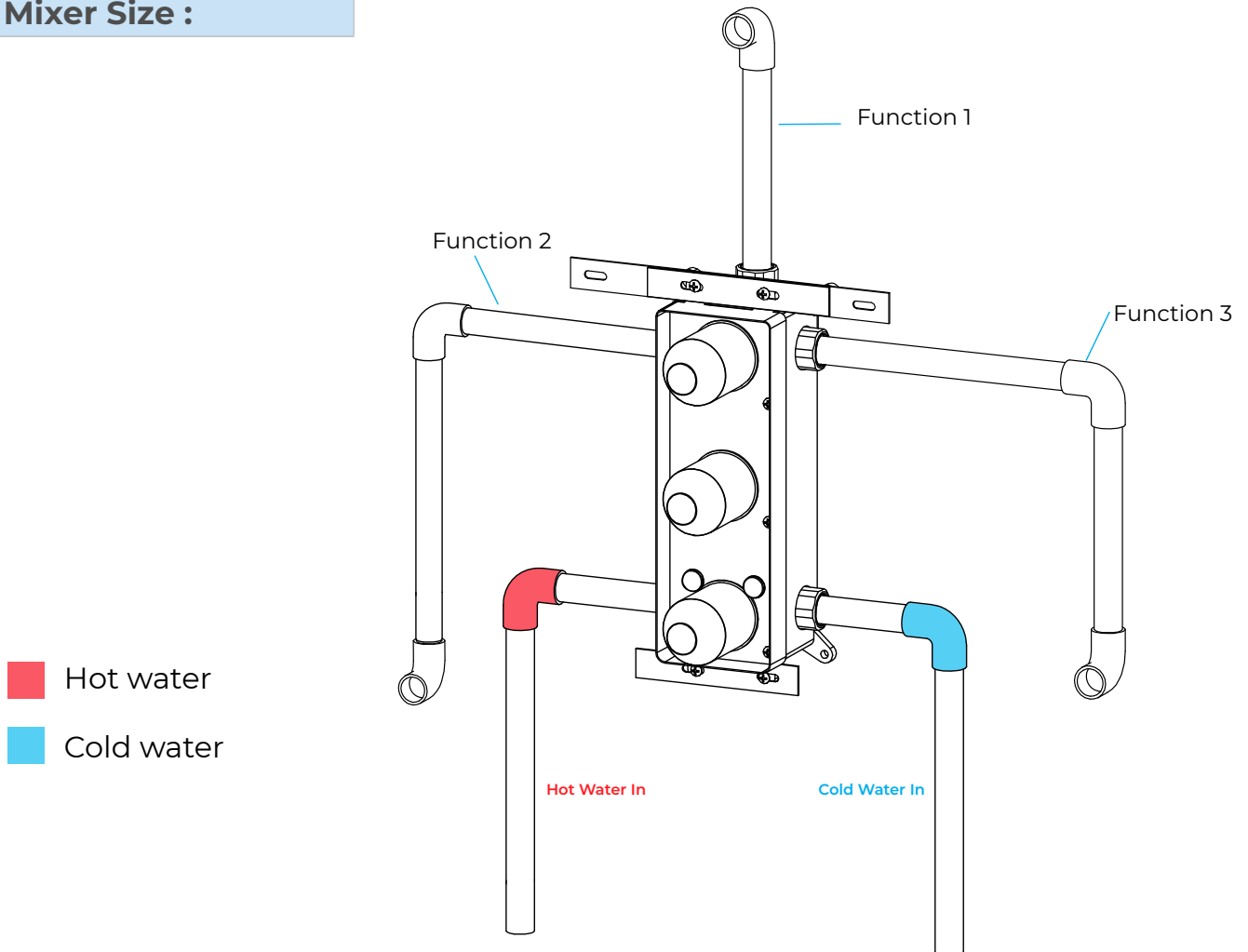
Flow Rate
2.5 GPM / 9.5 LPM (rain Shower);

Hand Shower Size:



The minimum required water pressure is 0.05 MPa (0.5 bar).
Flow rate 2.5 GPM (9.5 LPM).

Mixer Size :



Body Shower Size:

Specifications:

Thread Interface Size: G 1/2 Inch
Function: Rainfall
Shower Head Feature: Water Saving
Shower Heads
Type: Fixed Rotatable Type
Installation Type: Wall Mounted
Size: 50* 50 mm(2 inch)
Material: Brass
Feature: Can rotate 360 degrees
Flow Rate: 1.5 GPM / 5.7 LPM (each
Bodyspray)

Size:

